

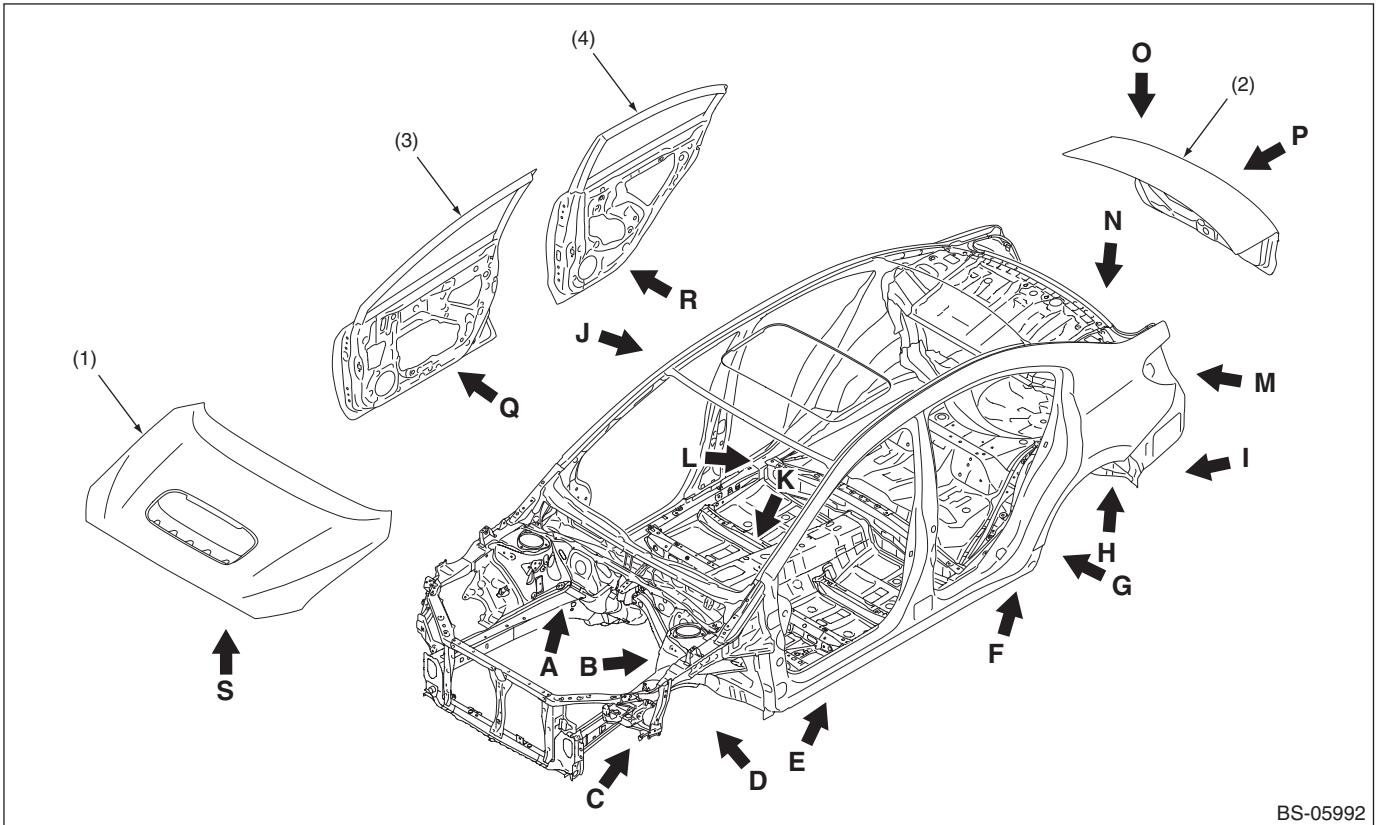
Body Sealing

8. Body Sealing

A: SPECIFICATION

Used material: **Three Bond 4101 (004403063)**

— : Sealer application location

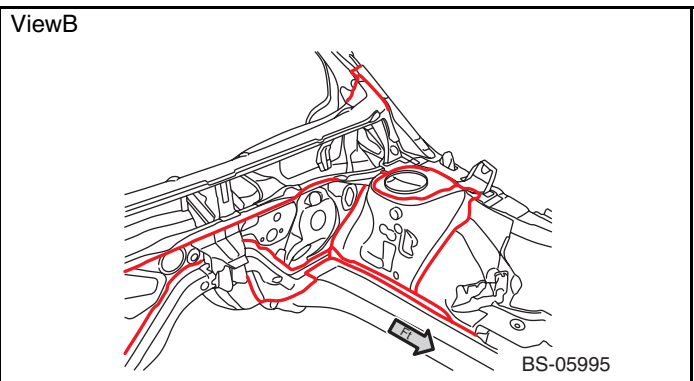
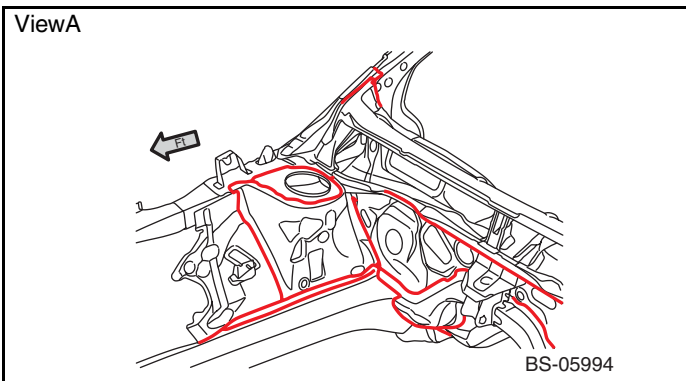


BS-05992

- (1) Front hood
- (2) Trunk

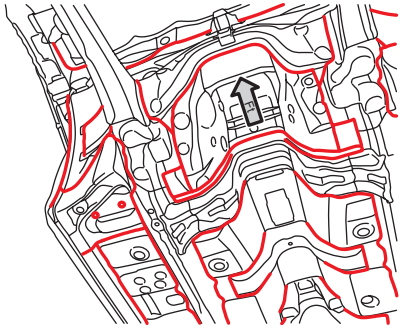
- (3) Front door

- (4) Rear door



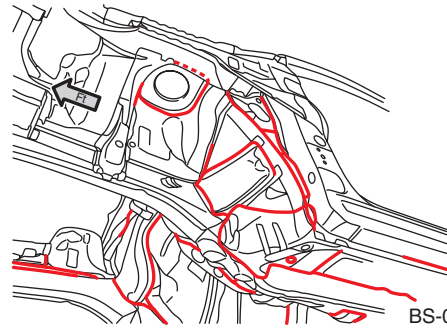
Body Sealing

ViewC



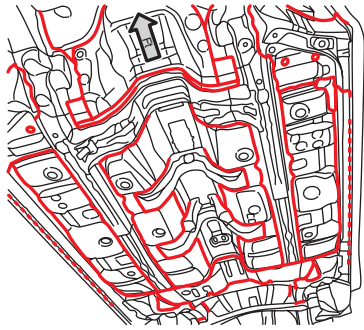
BS-06195

ViewD



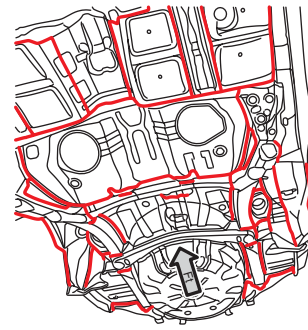
BS-05997

ViewE



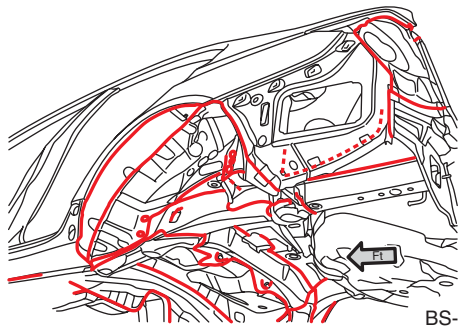
BS-05998

ViewF



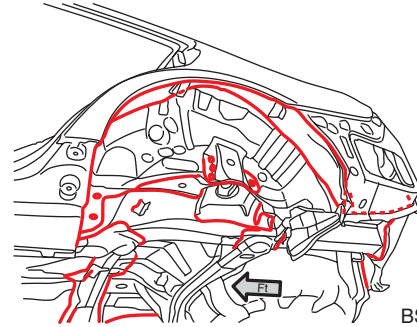
BS-06000

ViewG



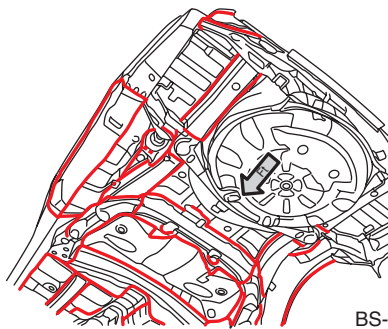
BS-06001

ViewH



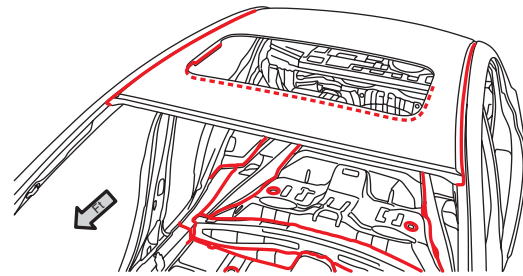
BS-06002

ViewI



BS-06003

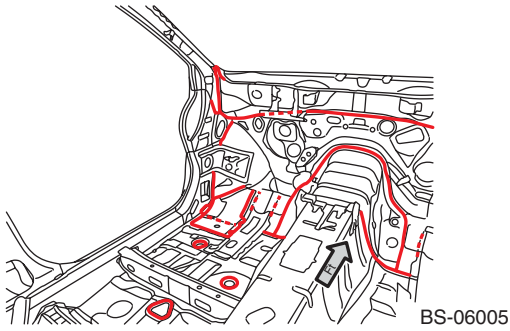
ViewJ



BS-06004

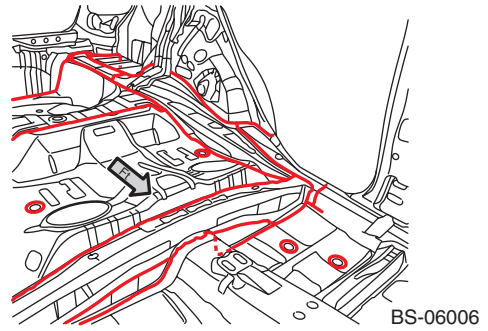
Body Sealing

ViewK



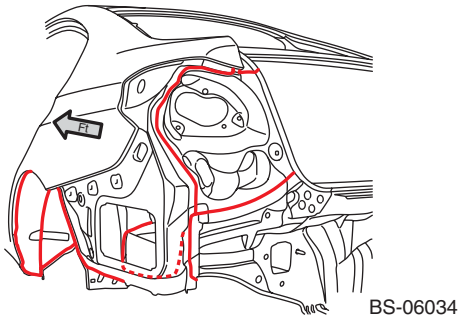
BS-06005

ViewL



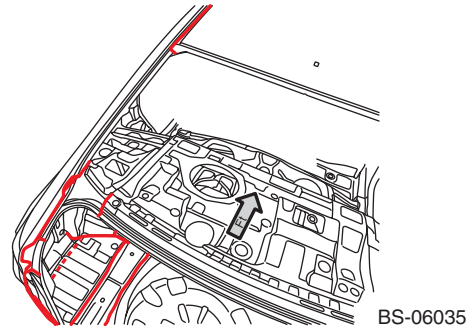
BS-06006

ViewM



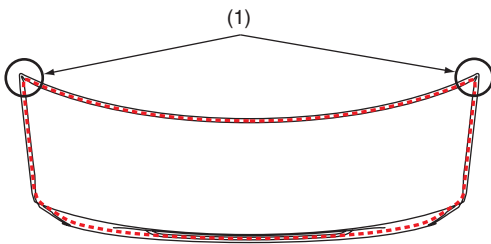
BS-06034

ViewN



BS-06035

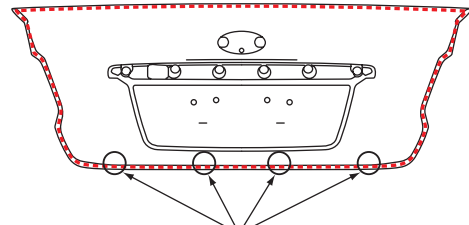
ViewO



BS-06036

(1) Plug the ED drain hole with PS and then make it smooth and even.

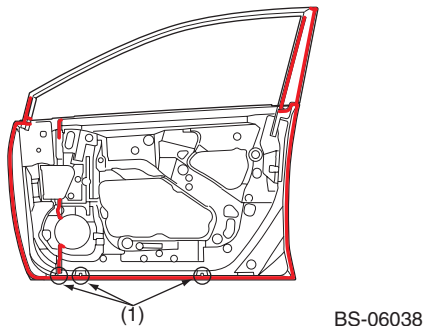
ViewP



BS-06037

(1) Do not block the water drain holes.

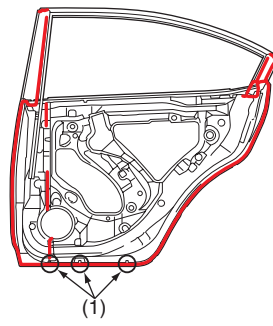
ViewQ



BS-06038

(1) Do not block the water drain holes.

ViewR

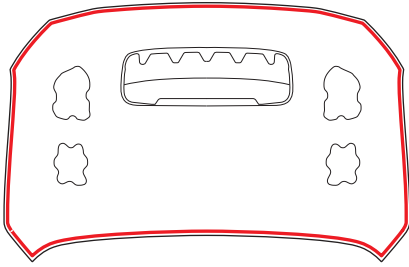


BS-06039

(1) Do not block the water drain holes.

Body Sealing

ViewS



BS-06040

SUBARU.

CAUTION:
Sealer already applied to hood, door and rear gate in replacement condition.